

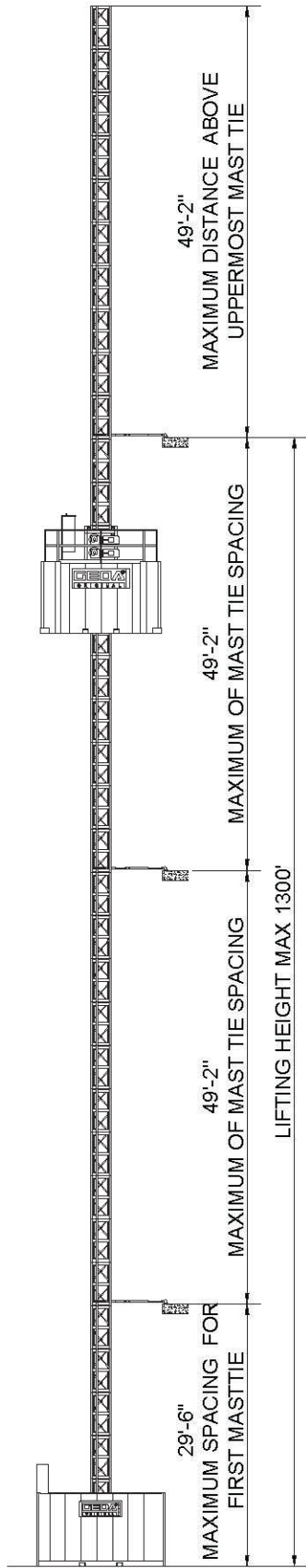


GEDA USA, LLC

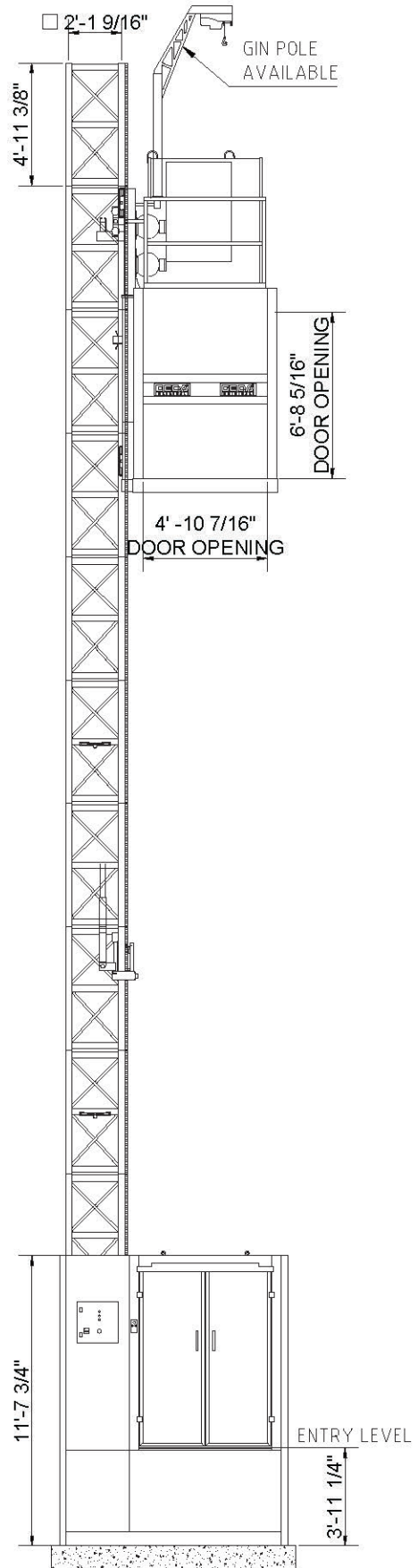
1151 Butler Rd. • League City, TX 77573

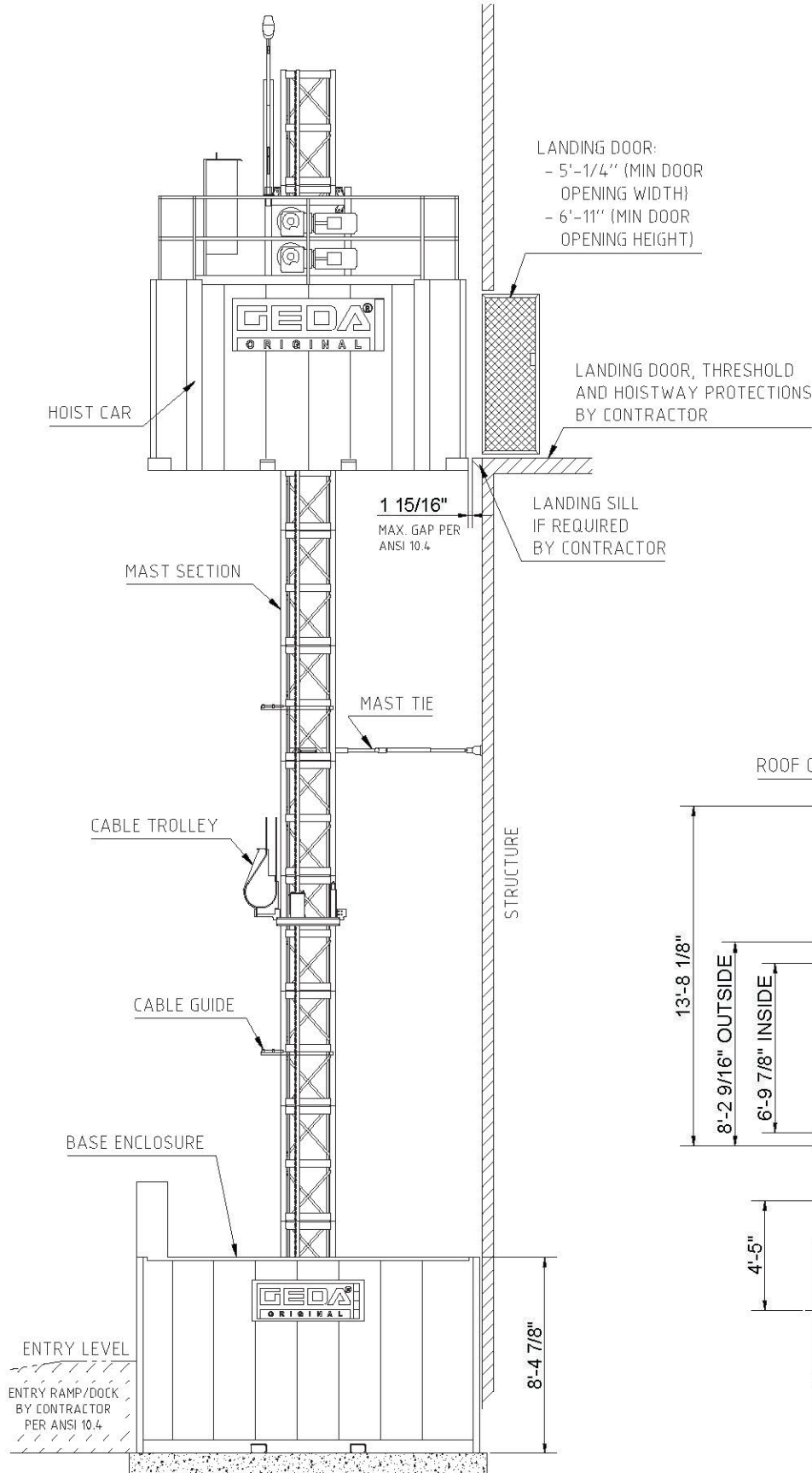
Phone: 713-621-7272 • Fax: 713-621-7279 • Toll-Free: 1-866-973-4332

www.gedausa.com • sales@gedausa.com

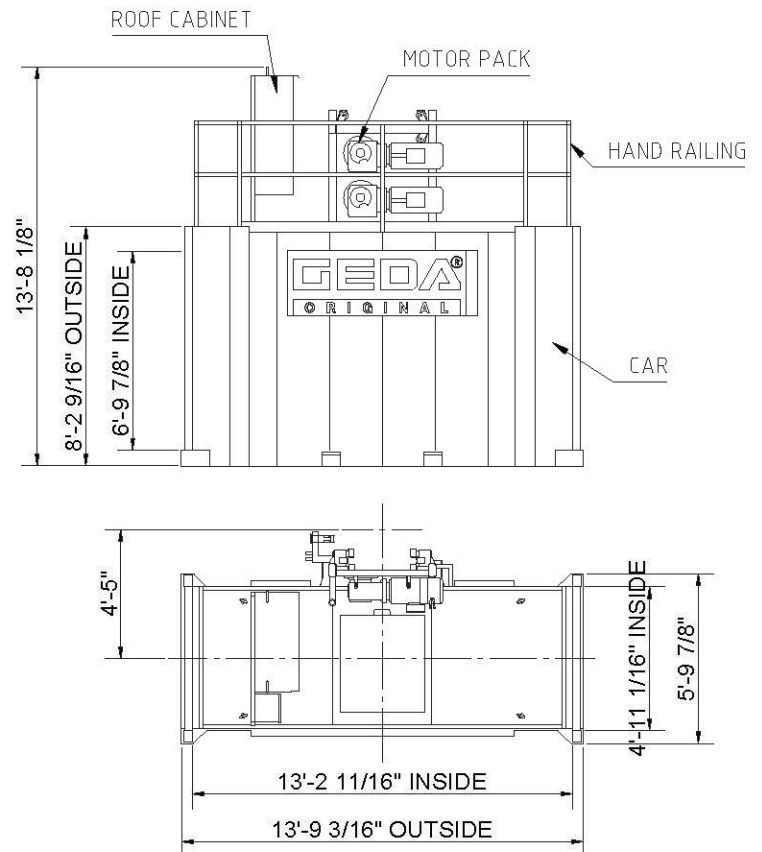


ELEVATION VIEW

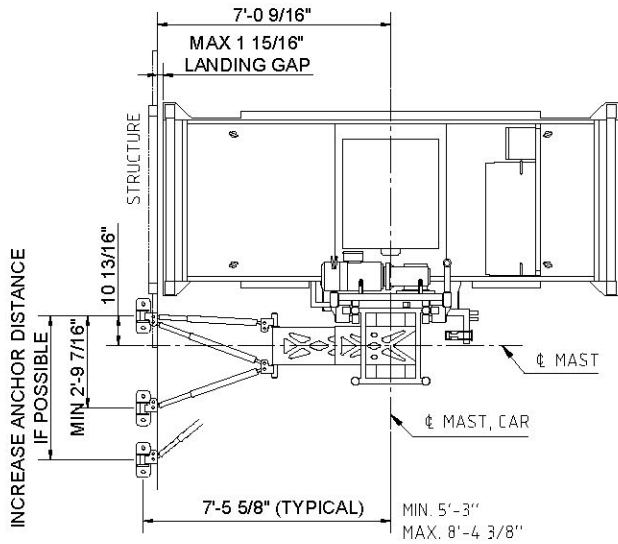




DIMENSIONS CAR

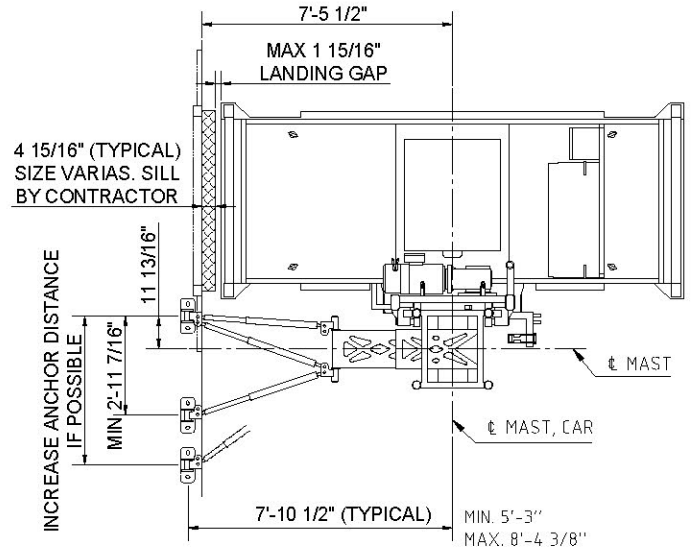


TIE IN DETAILS - SLAB MOUNTED

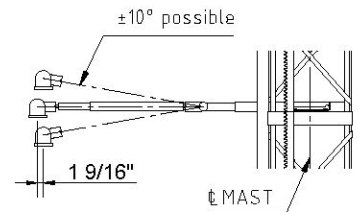
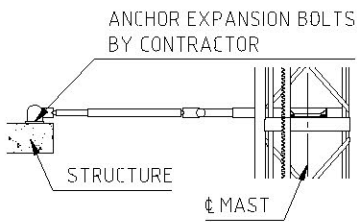


ELEVATION VIEW

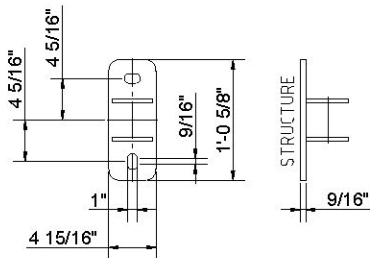
TIE IN DETAILS - SLAB MOUNTED WITH LANDING SILL



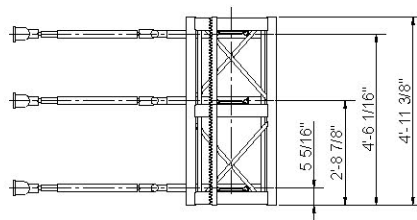
INCLINATION DETAILS



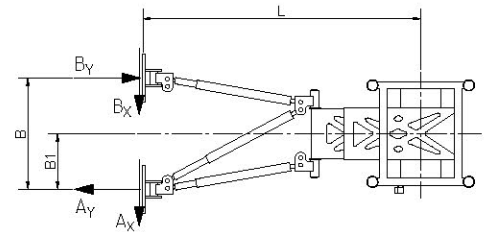
TIE IN PLATE



ATTACHMENT POINTS



TIE IN LOADS

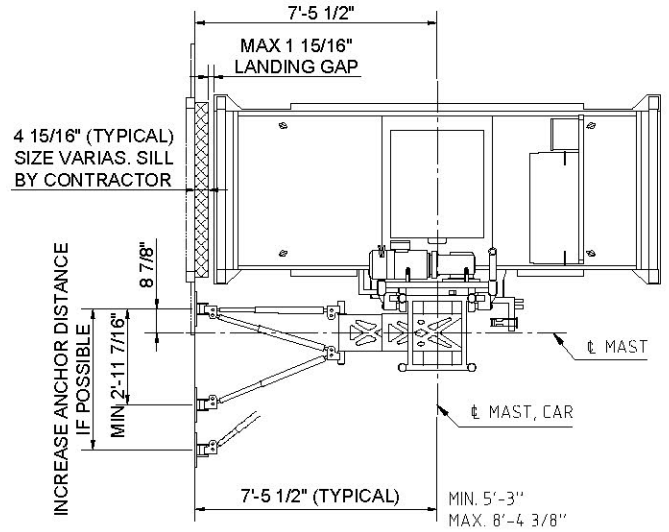
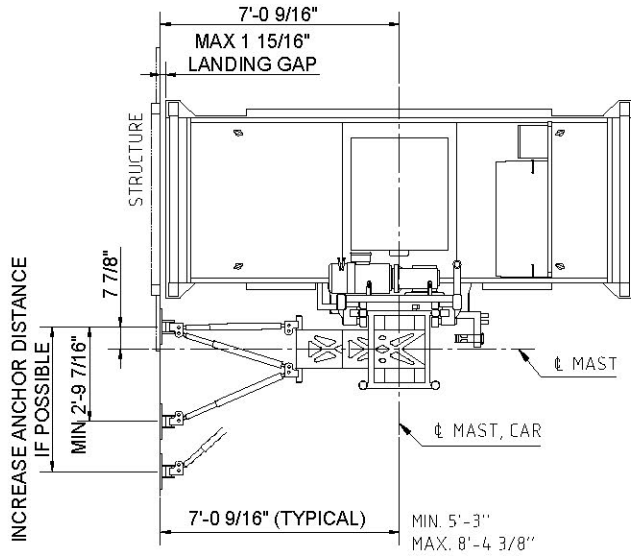


PLEASE SEE GEDA INSTALLATION MANUAL FOR TIE IN LOADS

ALTERNATE MAST TIES OR ANCHORING DISTANCES AVAILABLE. CONTACT GEDA FOR INFORMATION.

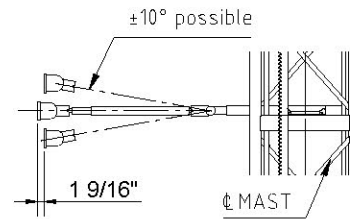
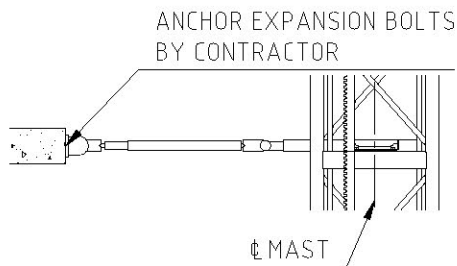
TIE IN DETAILS - WALL MOUNTED

TIE IN DETAILS - WALL MOUNTED WITH LANDING SILL

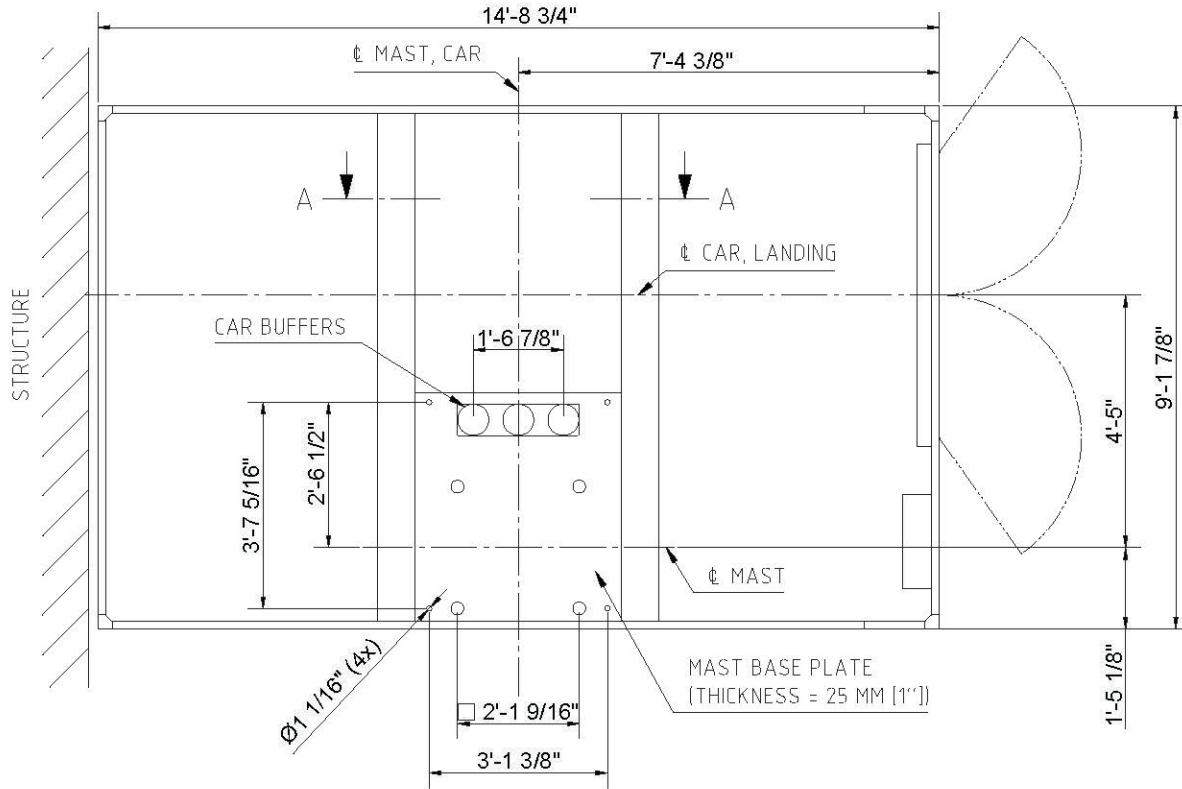


ELEVATION VIEW

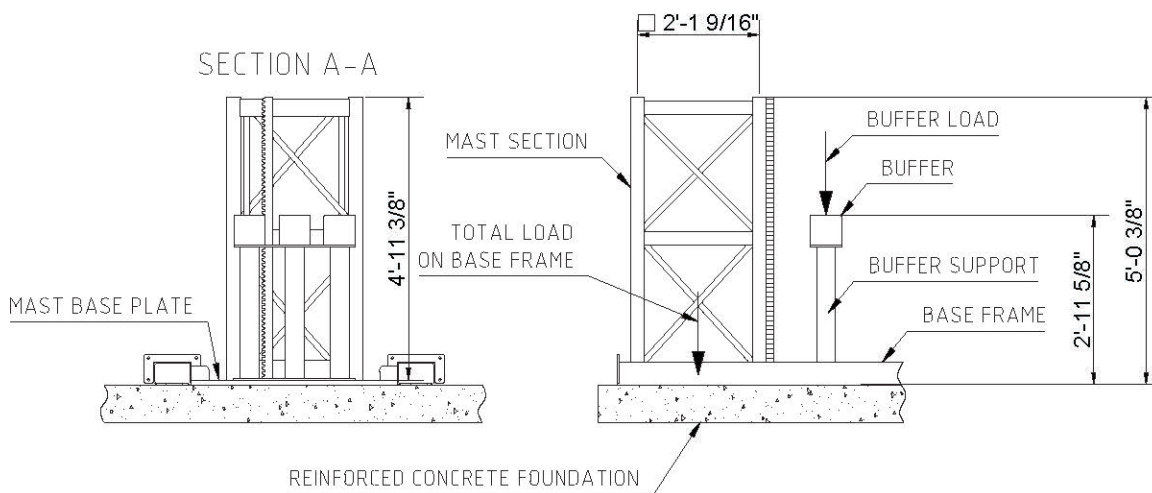
INCLINATION DETAILS



PLAN VIEW BASE ENCLOSURE



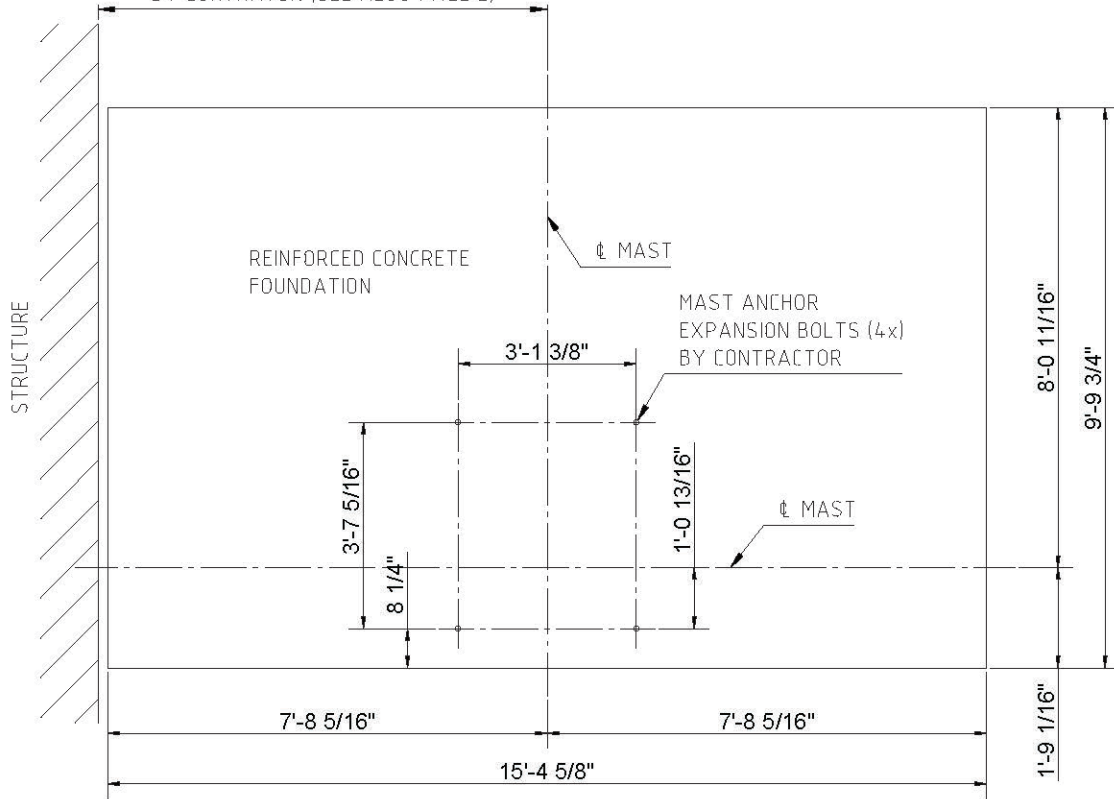
MAST BASE



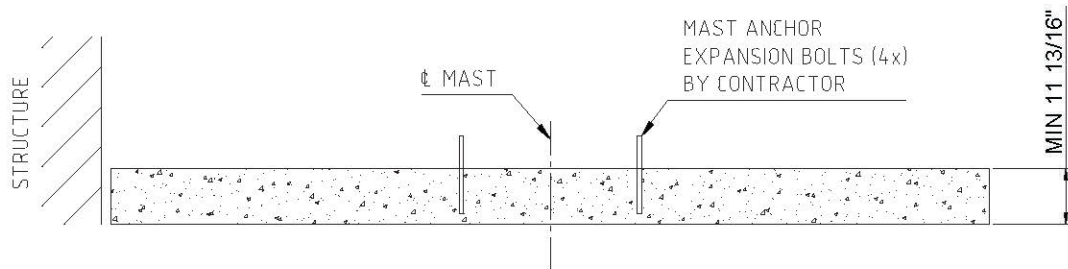
PLEASE SEE GEDA INSTALLATION MANUAL FOR TOTAL LOAD ON BASE FRAME AND BUFFER LOAD.

FOUNDATION PLAN VIEW

NOTE! DISTANCE FROM BUILDING FACE TO CENTER OF MAST DEPENDS ON TYPE OF MAST TIE INSTALLED AND HOW THE LANDING SILL IS REALIZED BY CONTRATOR (SEE ALSO PAGE 2)



FOUNDATION SIDE VIEW



SPECIFICATIONS

MACHINE TECHNICAL DATA SPECS

MACHINE TYPE:	GEDA PH7000
CONFIGURATION:	SINGLE, RIGHT CAR
CAPACITY:	7000 POUNDS
LIFTING HEIGHT:	VARIES (MAX 400m)
RATED SPEED:	131 ft/min.
NUMBER OF MOTORS:	2x23.1 kW (105 Hz)
MOTOR PACK TYPE:	VFC

COMPONENTS WEIGHT

BASE ENCLOSURE:	3200 LBS
CAR:	4200 LBS
MOTORPACK:	1875 LBS
ROOF CABINET:	600 LBS
MAST SECTION SINGLE:	343 LBS
MAST TIE:	230 LBS
CABLE GUIDE	12.5 LBS
CABLE TROLLEY:	165 LBS

POWER SUPPLY REQUIREMENTS (PER CAR)

VOLTAGE:	480 V, 3 PHASE	FREQUENCY:	60 HZ
MAINS FUSES:	80 A	POWER CONSUMPTION	66 kVA



Machinery Directive 2006/42/EG
DIN EN ISO 9001:2008

